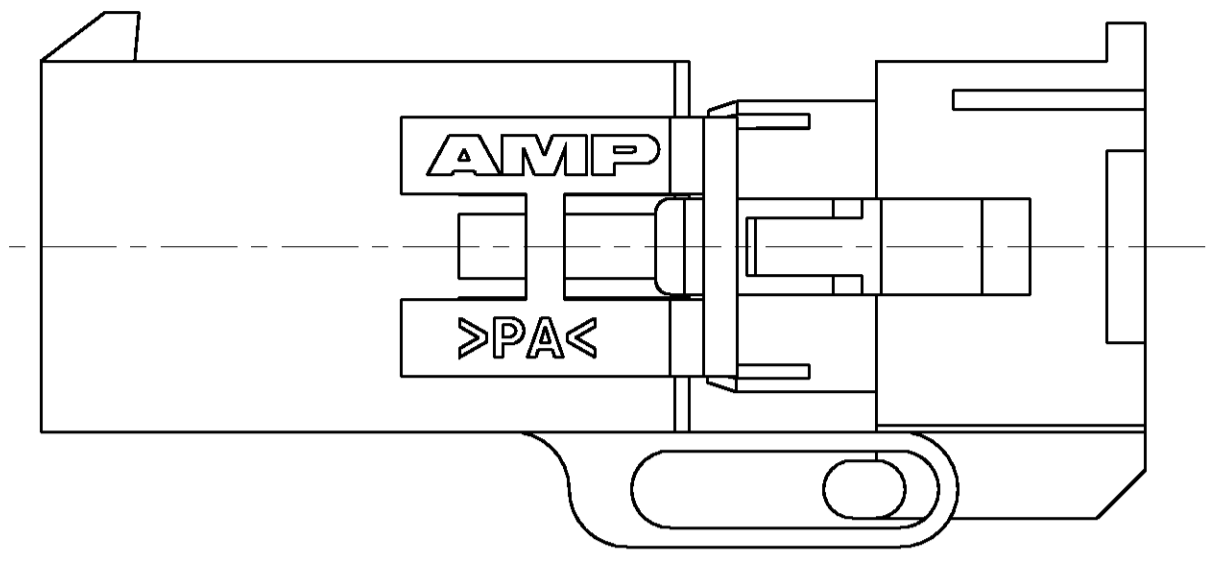
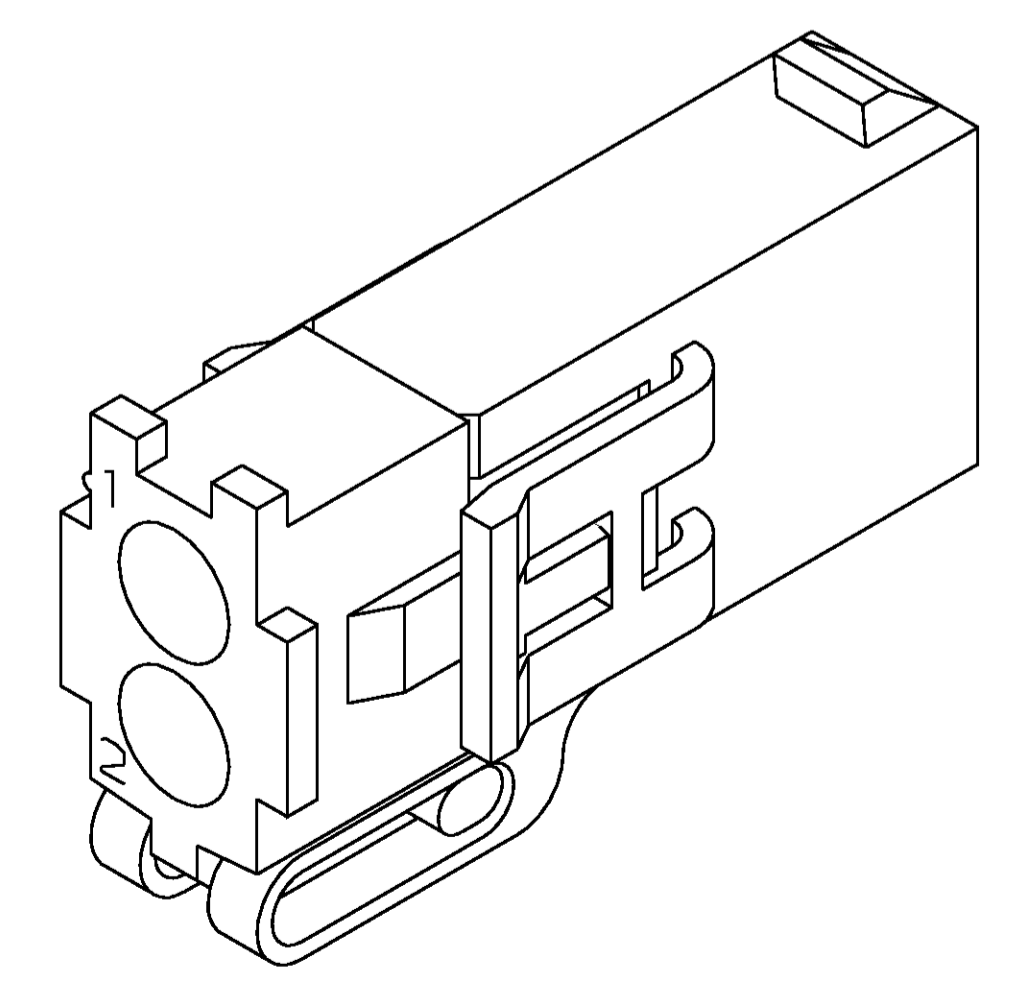
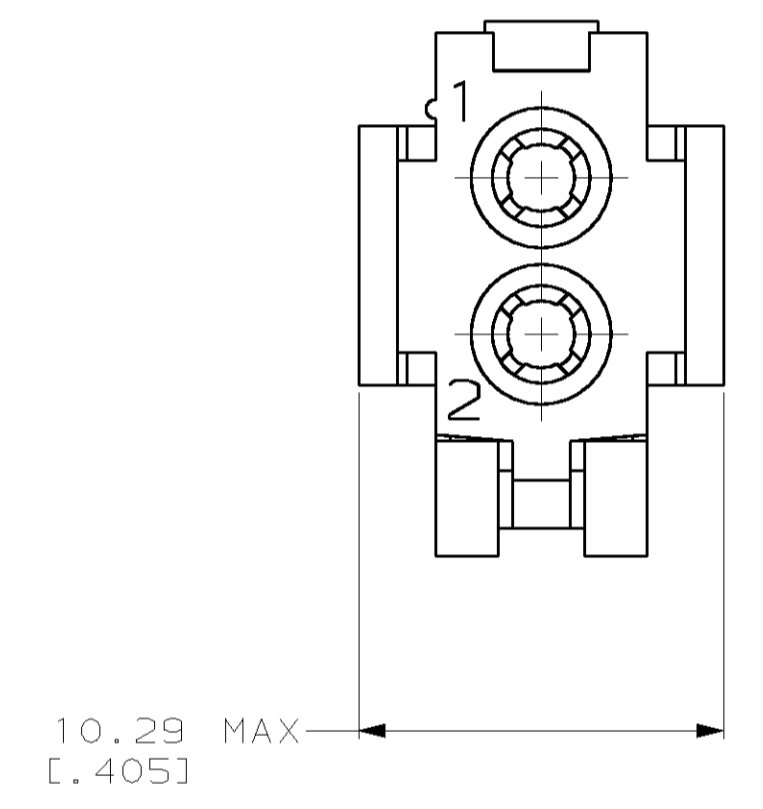
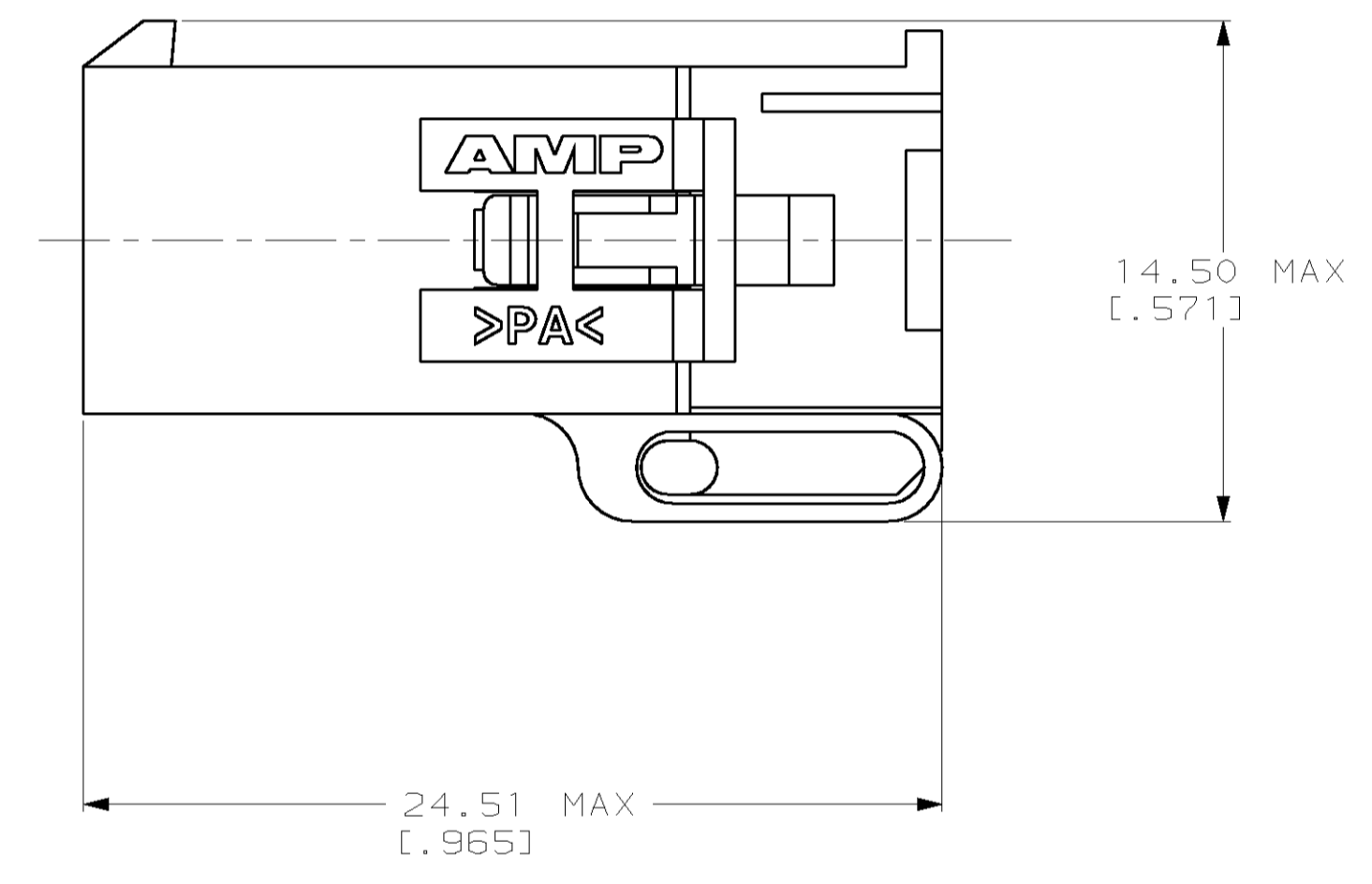
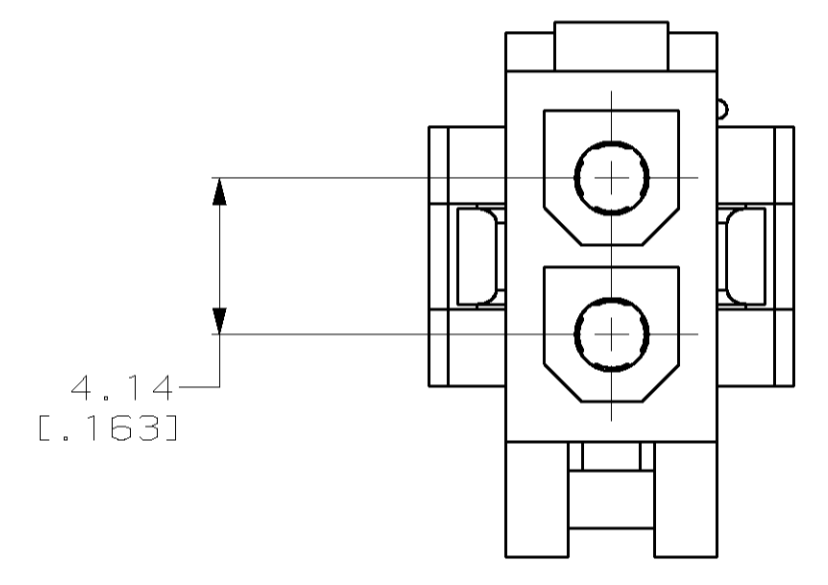


LOC		DIST		REVISIONS			
FR	LYR	DATE	BY	APPR	REV	DESCRIPTION	DATE
D		06-JUN-03	KW	CJ	1	REVISED PER EC 063B-0375-03	



PRE-STAGED CONDITION

1. DIMENSIONS IN BRACKETS ARE IN INCHES.



3-DIMENSIONAL MODEL
NTS

794185-1
PART NUMBER

METRIC

THIS DRAWING IS A CONTROLLED DOCUMENT.		DWN K. WHITAKER	5-09-97	AMP AMP Incorporated Harrisburg, PA 17105-3608
		CHK R. SWING	5-09-97	
		APP'D E. ORSTAD	5-09-97	NAME CAP, 2 CIRCUIT, MINI UNIVERSAL MATE-N-LOK™ 2
DIMENSIONS:		TOLERANCES UNLESS OTHERWISE SPECIFIED:		PRODUCT SPEC
mm		0 PLC	±0.13	APPLICATION SPEC
		1 PLC	±0.13	RESTRICTED TO
		2 PLC	±0.13	SIZE CAGE CODE DRAWING NO
		3 PLC	±0.13	A1 00779
		4 PLC	±0.13	SCALE 5:1 SHEET 1 OF 1 REV D
		ANGLES	±0°30'	CUSTOMER DRAWING
MATERIAL NYLON, JL 94V-0, NATURAL		FINISH -		WEIGHT -